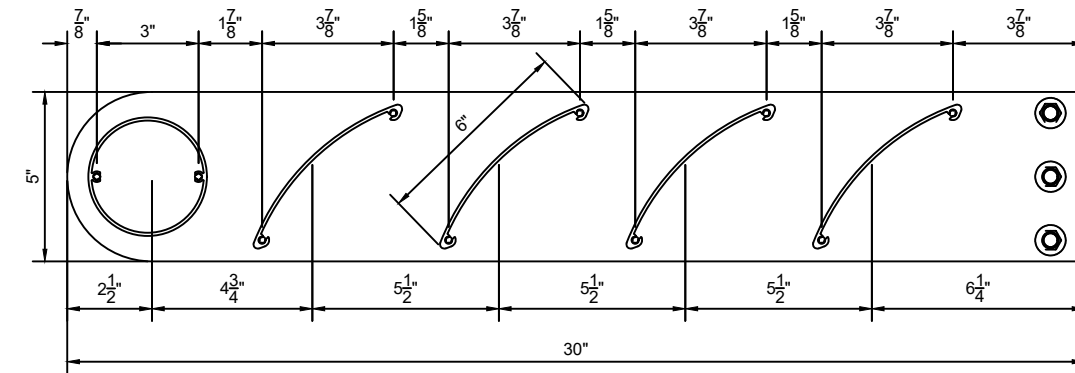
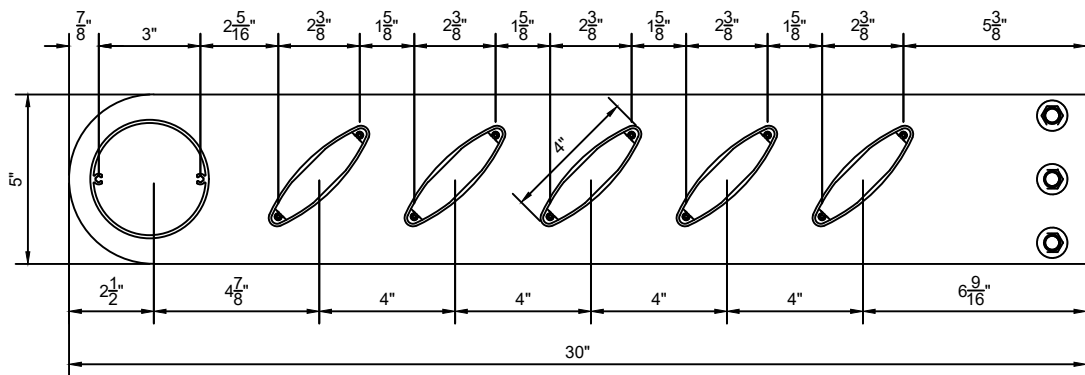


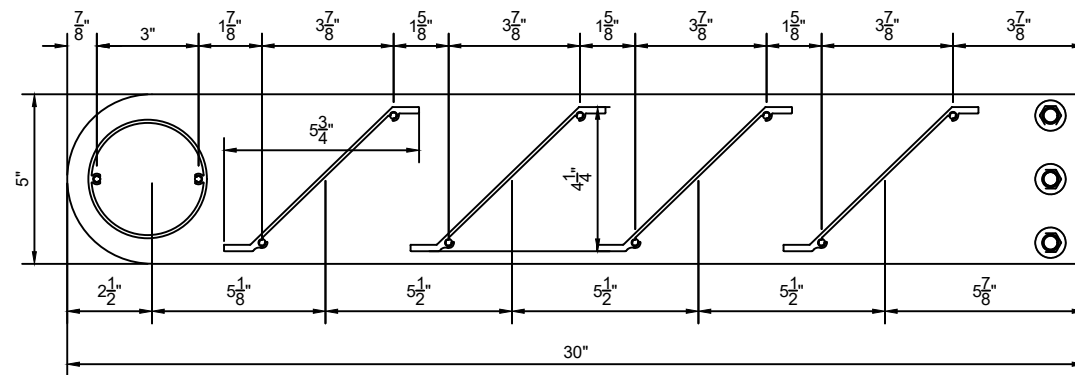
6" Airfoil Sunshade



6" Airfoil Sunshade

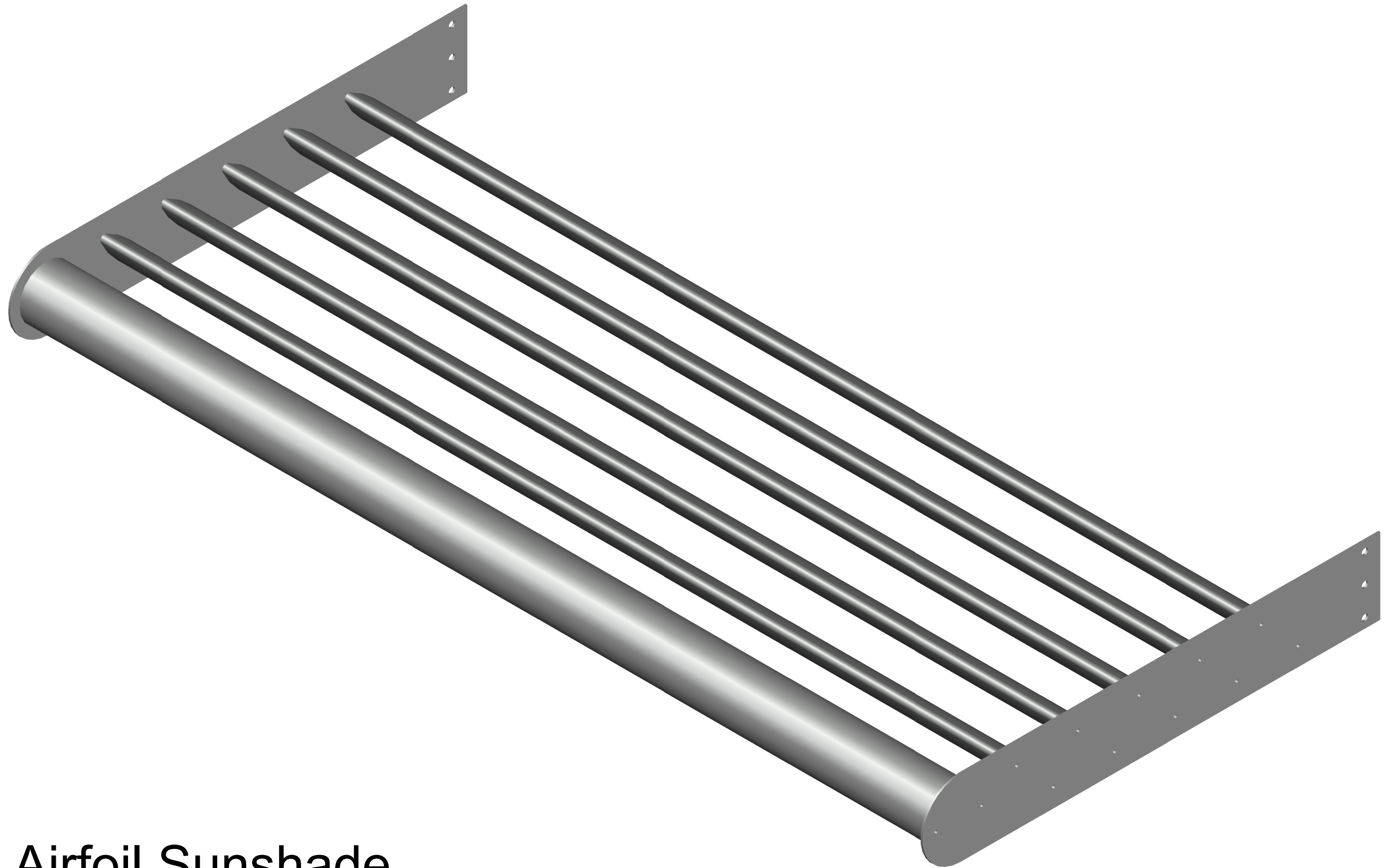


4" Airfoil Sunshade

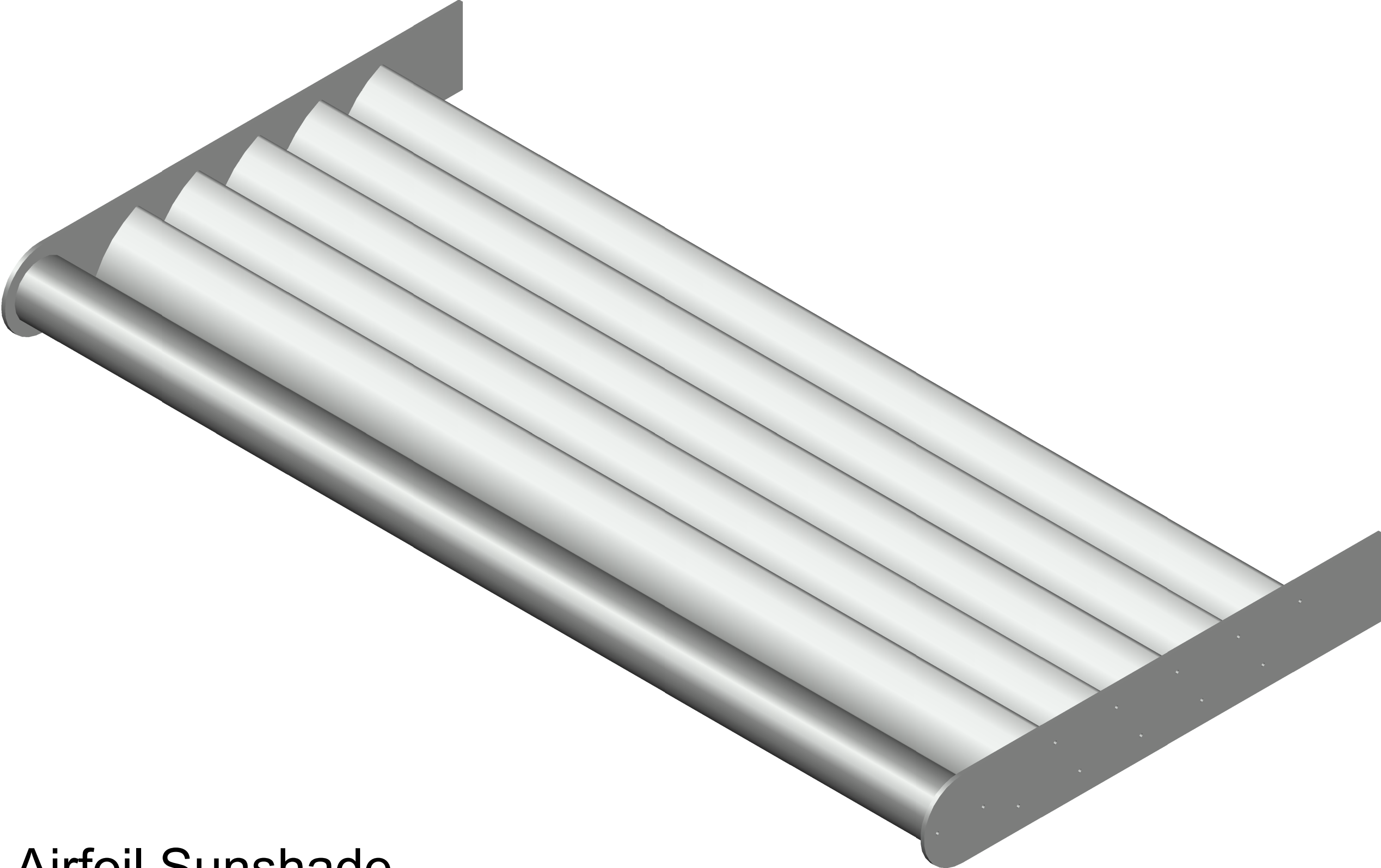


5³/₄" x 4¹/₄" Tubular Sunshade

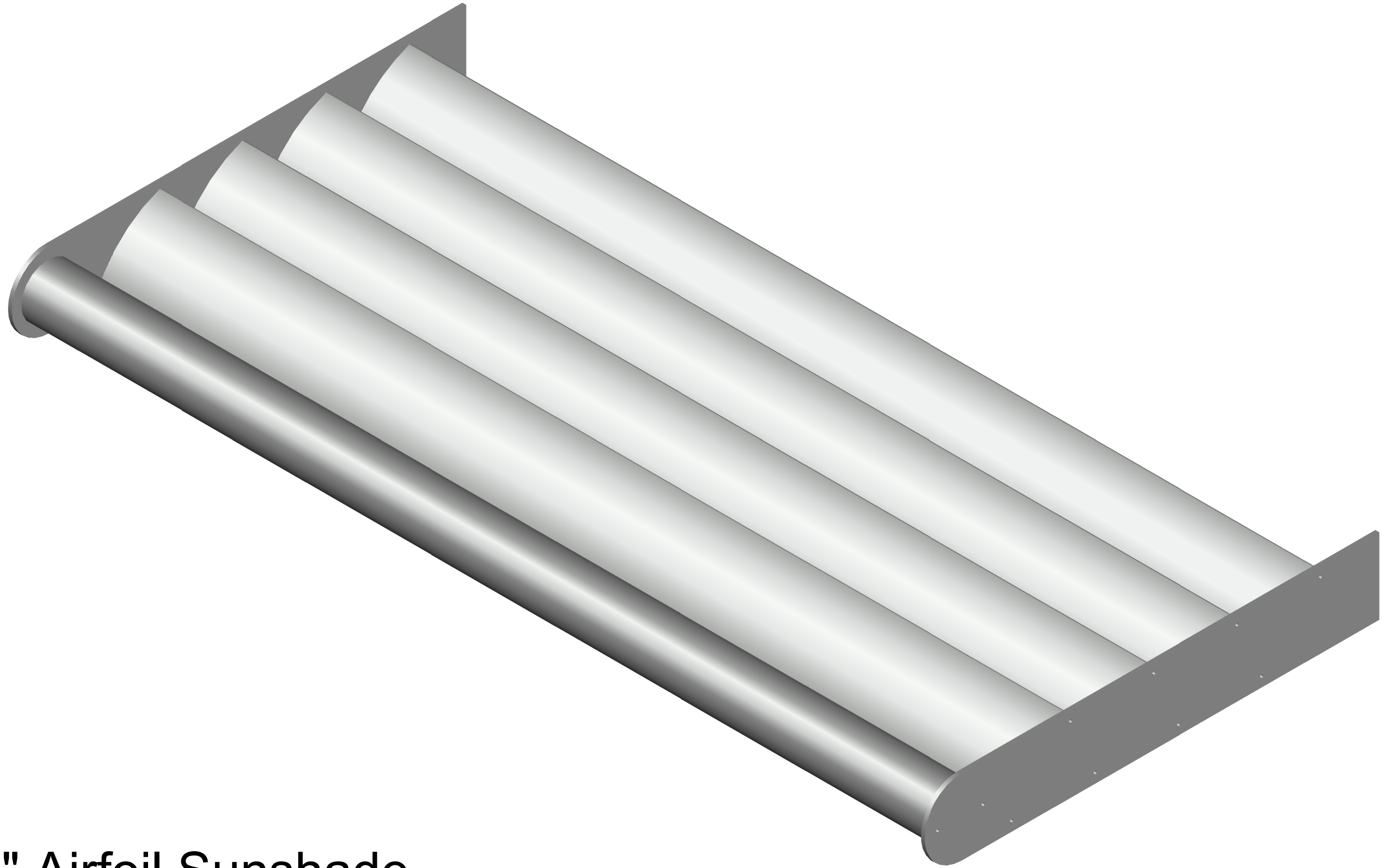
Airfoil Sunshade



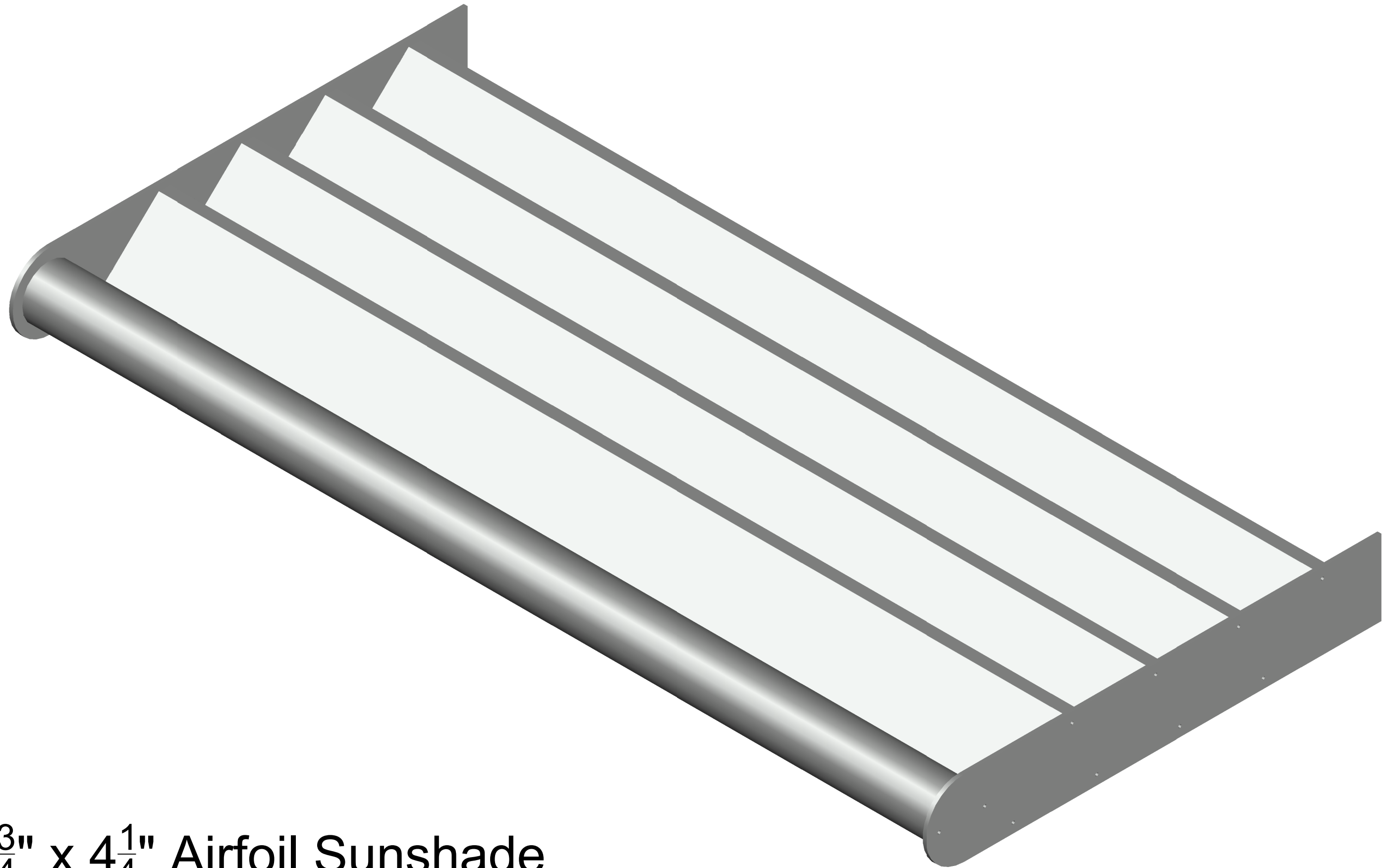
6" Airfoil Sunshade



4" Airfoil Sunshade



6" Airfoil Sunshade



$5\frac{3}{4}$ " x $4\frac{1}{4}$ " Airfoil Sunshade